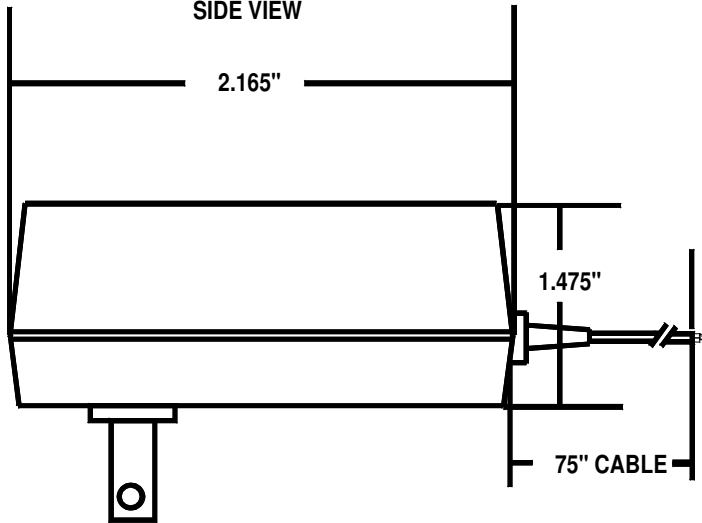


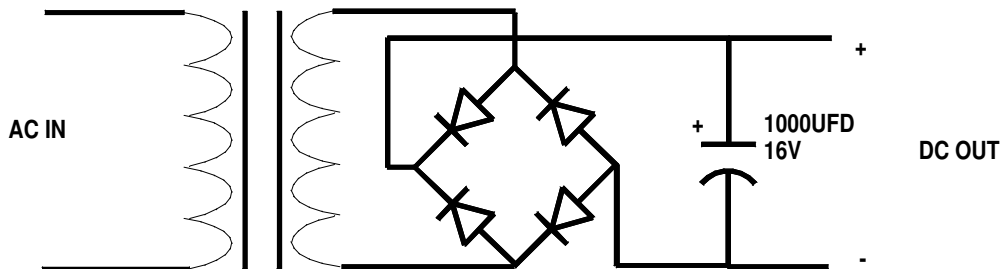
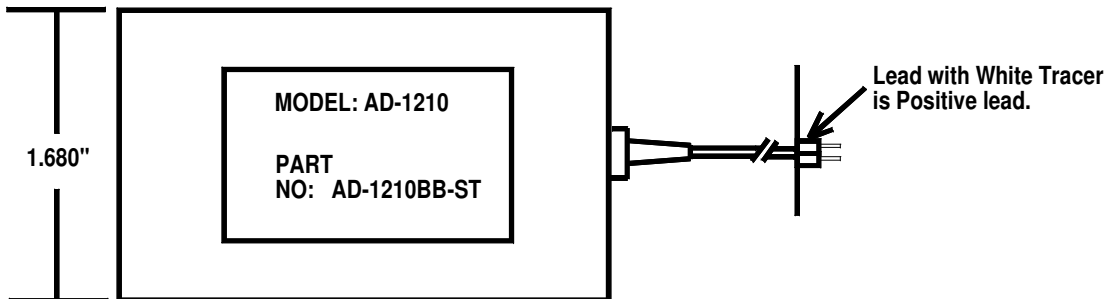
B&B ELECTRONICS MFG. CO.

OTTAWA, IL 61350

SIDE VIEW



TOP VIEW



120VAC, 60HZ, 3W INPUT
 12VDC, 100MA. OUTPUT
 WEIGHT=5.8 OZ.
 UL and CSA APPROVED.

REF: AD-1210

B & B ELECTRONICS	
JAN. 18.91 RLH & CAF	
232 CONVERTER POWER SUPPLY	
FILE=232PS2	
MODEL 232PS2	SHT 1 OF 1

© B&B Electronics

B & B electronics
MANUFACTURING COMPANY

707 Dayton Road • PO Box 1040
Ottawa, IL 61350 USA
Phone: (815) 433-5100 • FAX: (815) 434-7094

Mouser Electronics

Authorized Distributor

Click to View Pricing, Inventory, Delivery & Lifecycle Information:

[B&B Electronics:](#)

[232PS2](#)